

6 5 4 3 2 1

D

D

C

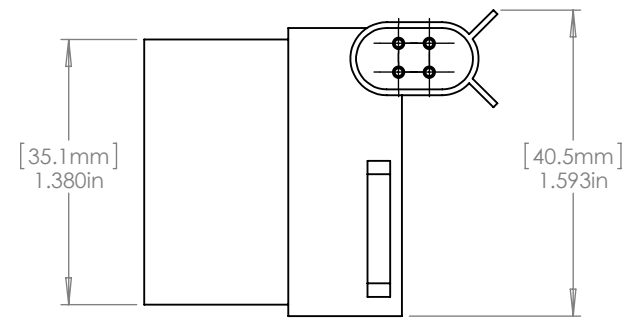
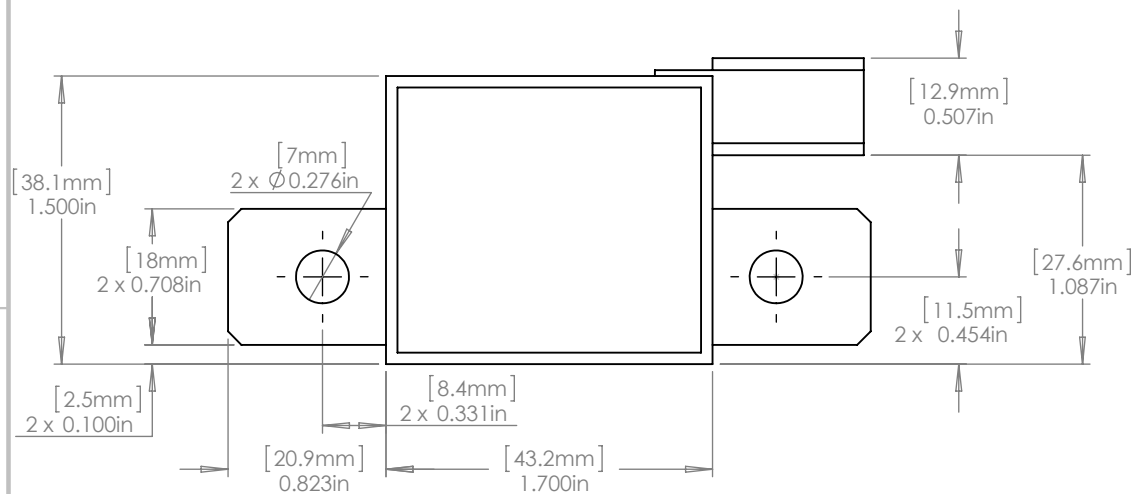
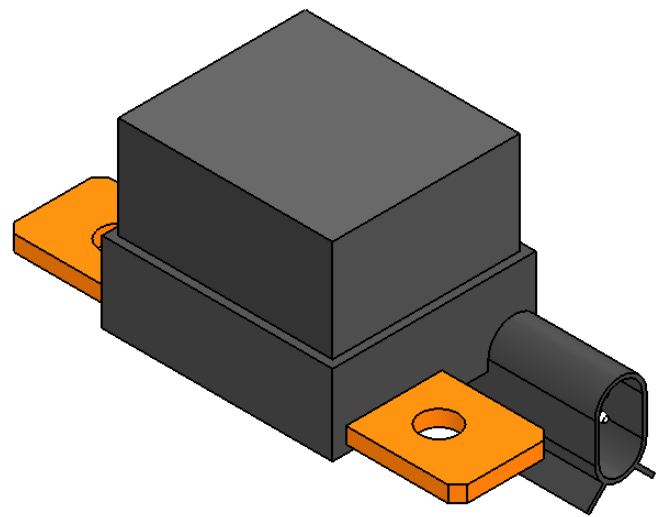
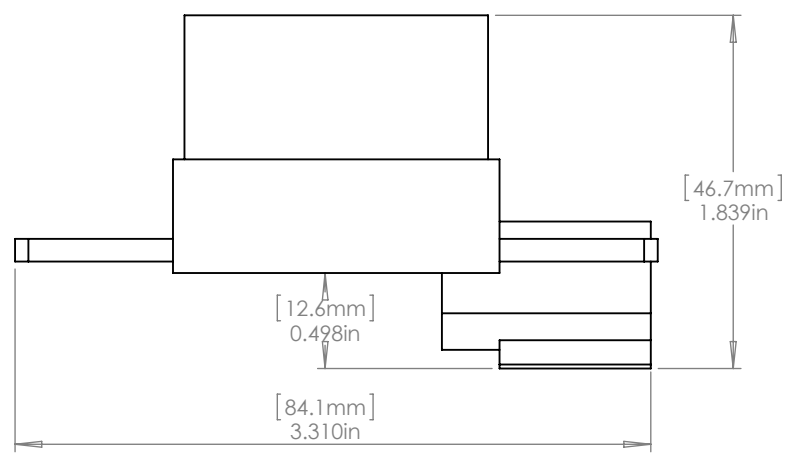
C

B

B

A

A



**SOLIDWORKS Student Edition.
For Academic Use Only.**

NOTES:

Units: In [mm]
Tolerances +/- 0.005

DWG NO.

FSAE Energy Meter

WEIGHT:

SCALE:1:1

SHEET 1 OF 1

6 5 4 3 2 1